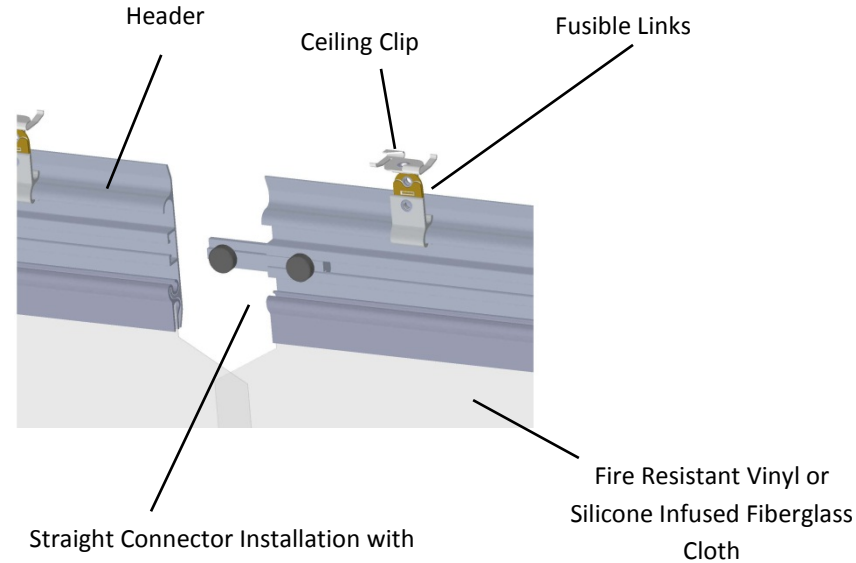
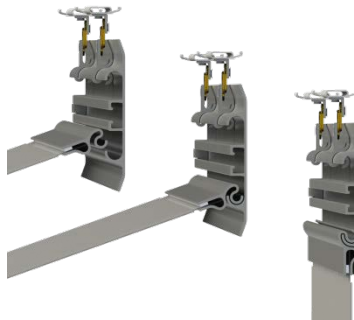


Pre-Assembled 4' Strip Door Clip with 6-12" overlapping strips



Straight Connector Installation with Thumb Screws for a Tool Free Installation



Pivot and Grip Curtain and Ceiling Link Connections

SPECIFICATIONS

General Information

- Modular, Field Installation
- UL Listed Fusible Links
- 360 Degree Ceiling Hung Attachment
- Overlapping Design for improved Air Sealing
- Slide and lock to install adjacent headers
- Easy Pivot and Grip Installation method for partitions allows for any location any time installation or adjustment.
- Standard Header Length: 4'

OPTIONS

Aluminum Extrusion Finish Options

- Clear Anodized
- Black Anodized

System Lengths

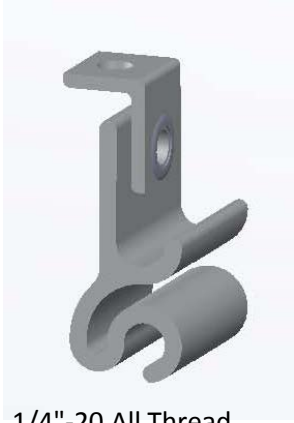
- 0"-96"
- 96"-144"
- 144"-192"

Partition Material

- Fire Resistant, Static Dissipating Clear Vinyl
- Silicone Infused Translucent Fiberglass Cloth

Ceiling Clips

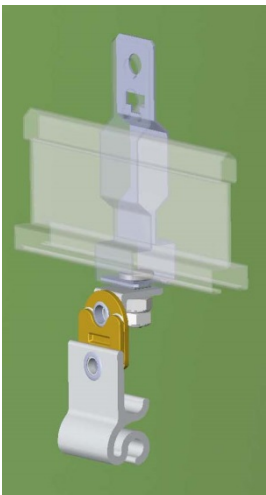
- Available for different ceiling systems
 - 15/16 T-Grid
 - 9/16 T-Grid
 - Armstrong 9/16 Bolt Slot Grid
 - ¼-20 All Thread Hanger
- Contact Inside Sales for your custom ceiling clip solution



1/4"-20 All Thread
Clip



9/16" Ceiling Clip



Armstrong 9/16 Bolt
Slot Grid Ceiling Clip



18" Drop Down
Ceiling Clip

INCLUDED COMPONENTS

- 1 x 4' Long Header Rail
- 1 x Straight Connector w/ Color Matching Thumb Screws
- 2 x Ceiling Grid Connector
- 1 x 4' Long Curtain Rock and Lock Bracket

ADDITIONAL SPECIFICATIONS

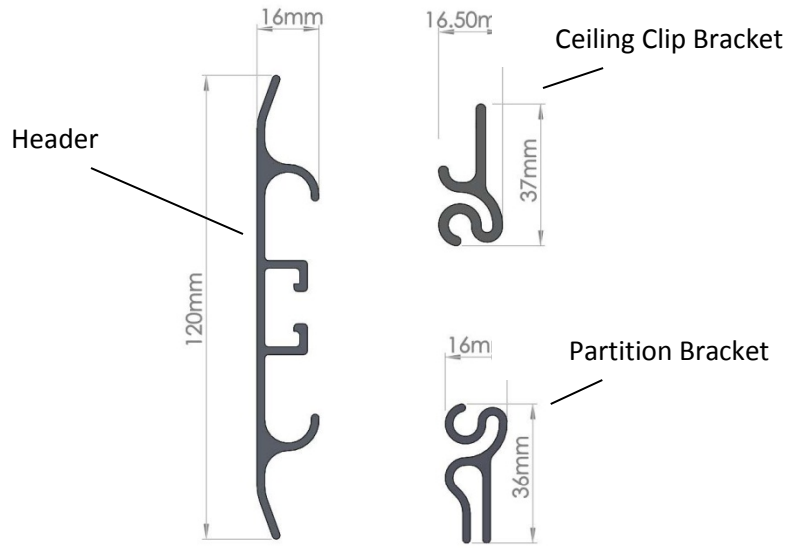
- Vinyl meets requirements of 2009 NFPA, UL94 V-0, CPAI-84, NFPA-701, 1,000 hours U.V. ASTM Weatherometer
- Silicone Infused Fiberglass Cloth meets requirements for 2013 NFPA 75, ASTM E84-12. Rated Class 'A'
- Fusible link is UL Listed
- Mechanically activated under thermal stress at 135°F to release system and not interfere with fire suppression systems.
- Fusible link maximum Loading of 45 lbs
- Ceiling Clip designed for standard 1" wide T-Grid System, may not be compatible with all systems.

CLEANING AND CARE

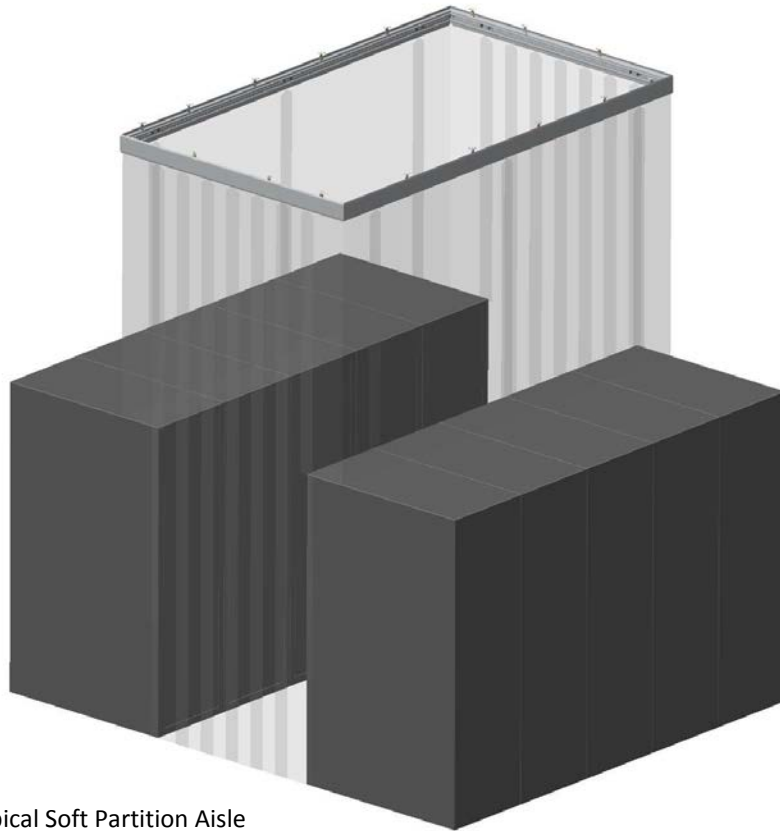
- Vinyl treated with an anti-static finish may, over time, experience what is known as plasticizer migration and develop a cloudy residue. This is a natural occurrence and can be removed by cleaning the vinyl with soap (Dawn) and water.
- For regular cleaning and upkeep when no residue is present you may use a standard off-the-shelf cleaning product such as Windex



Modular installation for Any Aisle Length



Custom Extrusion Profiles



Typical Soft Partition Aisle Containment Layout

PART NUMBERS

