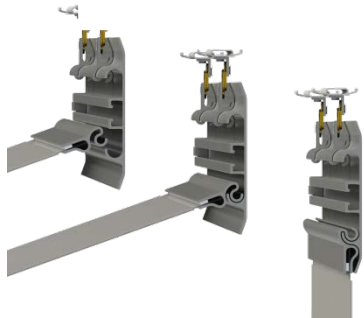
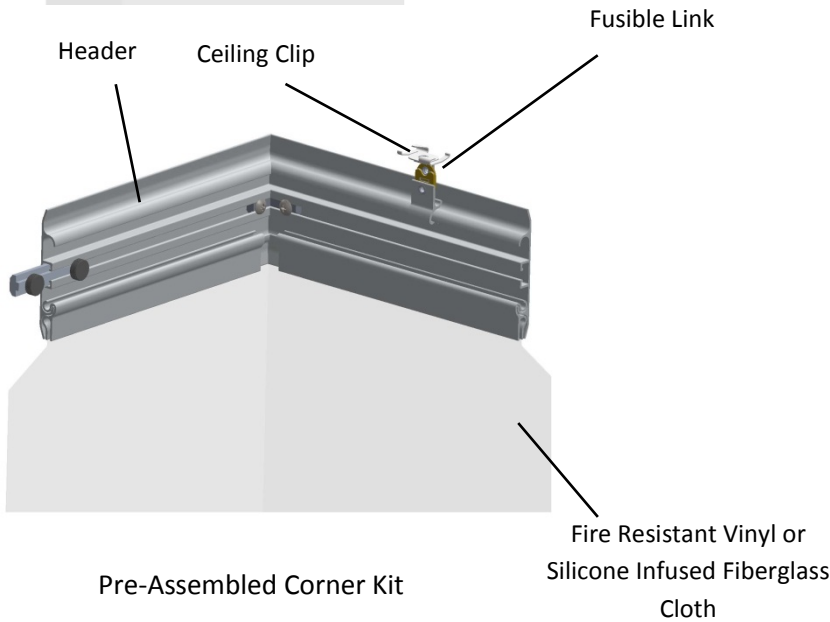


Soft Corner in standard 12"x12" size,  
with 2" overlap on each side



Pre-Assembled Corner Kit

Pivot and Grip Curtain and  
Ceiling Grid Connections

## SPECIFICATIONS

### General Information

- Modular, Field Installation
- UL Listed Fusible Links
- 360 Degree Ceiling Hung Attachment
- Overlapping Design for improved Air Sealing
- Slide and lock to install adjacent headers
- Easy Pivot and Grip Installation method for vinyl allows for Installation or Adjustment at any location and any time
- Standard Corner Dimensions: 12"x12"

## OPTIONS

### Aluminum Extrusion Finish Options

- Clear Anodized
- Black Anodized

### System Lengths

- 0"-36"
- 36"-96"
- 96"-144"

### Partition Material

- Fire Resistant, Static Dissipating Clear Vinyl
- Silicone Infused Translucent Fiberglass Cloth

### Ceiling Clips

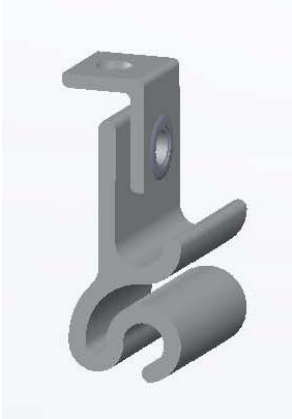
- Available for different ceiling systems
  - 15/16 T-Grid
  - 9/16 T-Grid
  - Armstrong 9/16 Bolt Slot Grid
  - ¼-20 All Thread Hanger
- Contact Inside Sales for your custom ceiling clip solution

## INCLUDED COMPONENTS

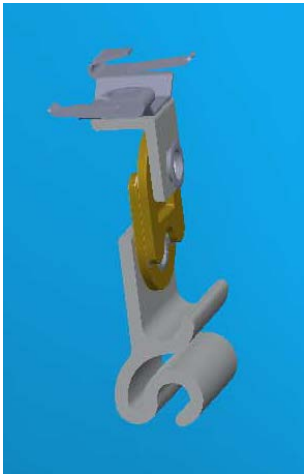
- 1 x 12"x12" Corner Assembly
- 1 x Straight Connector w/ Color Matching Thumb Screws
- 1 x Ceiling Grid Connector
- 1 x 24" Long Vinyl Pivot and Grip Bracket with 2" Overlap on Each End

## ADDITIONAL SPECIFICATIONS

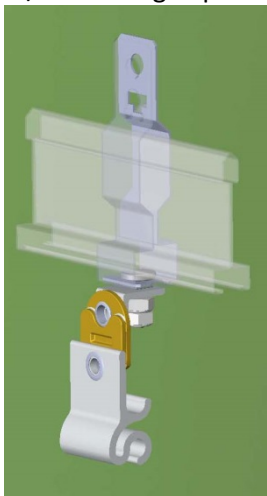
- Vinyl Meets requirements of NFPA 2009, UL94 V-0, CPAI-84, NFPA-701, 1,000 hours U.V. ASTM Weatherometer
- Silicone Infused Fiberglass Cloth meets requirements for 2013 NFPA 75, ASTM E84-12. Rated Class 'A'
- Fusible link is UL Listed
- Mechanically activated under thermal stress at 135°F to release system and not interfere with fire suppression systems.
- Fusible link maximum Loading of 45 lbs



1/4"-20 All Thread  
Clip



9/16" Ceiling Clip



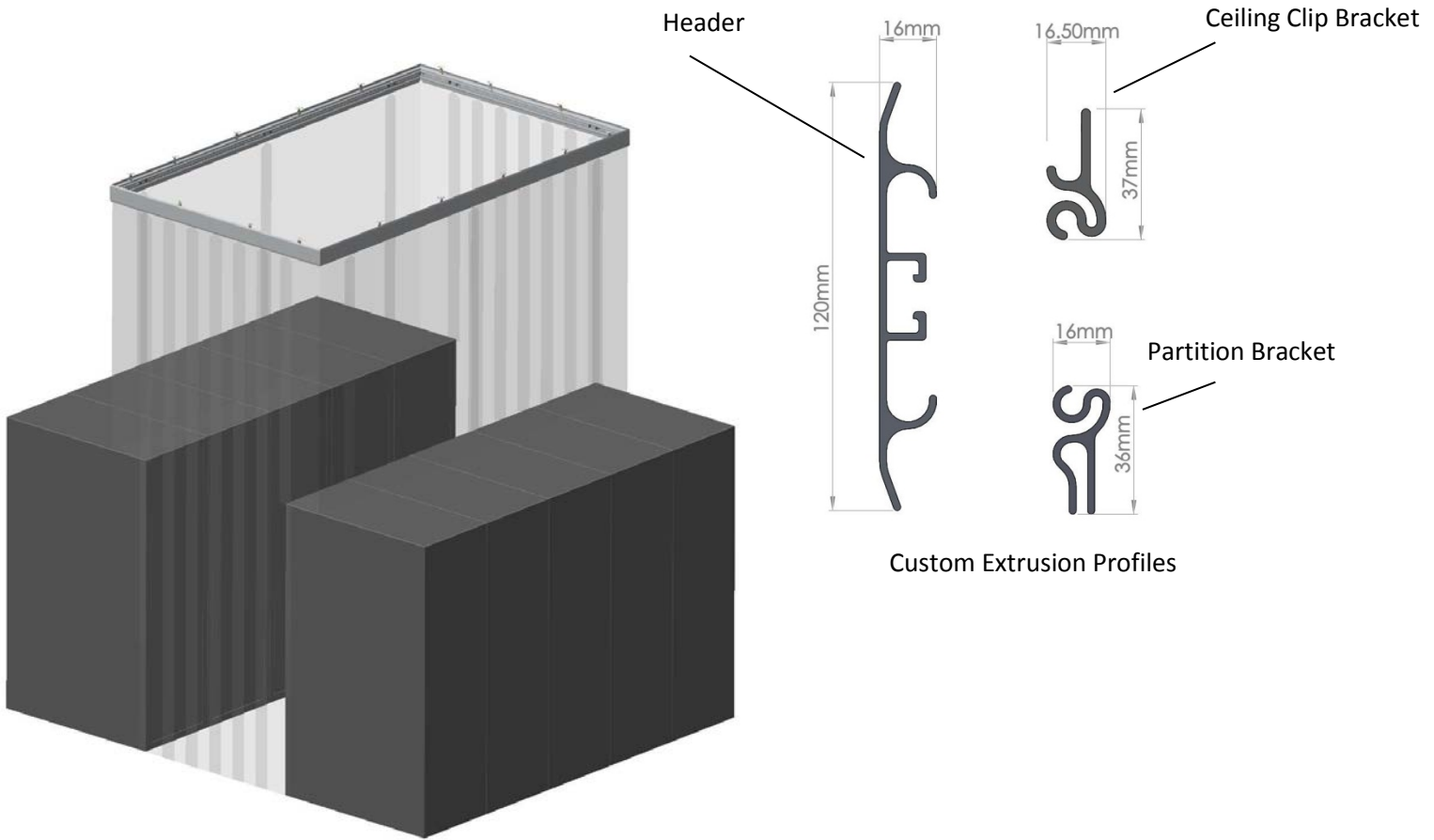
Armstrong 9/16 Bolt  
Slot Grid Ceiling Clip



18" Drop Down  
Ceiling Clip

## CLEANING AND CARE

- Vinyl treated with an anti-static finish may, over time, experience what is known as plasticizer migration and develop a cloudy residue. This is a natural occurrence and can be removed by cleaning the vinyl with soap (Dawn) and water.
- For regular cleaning and upkeep when no residue is present you may use a standard off-the-shelf cleaning product such as Windex



Typical Soft Partition Aisle  
Containment Layout

## PART NUMBERS

