

ELECTRA-flo/CM

MINIMUM INSTALLATION REQUIREMENTS

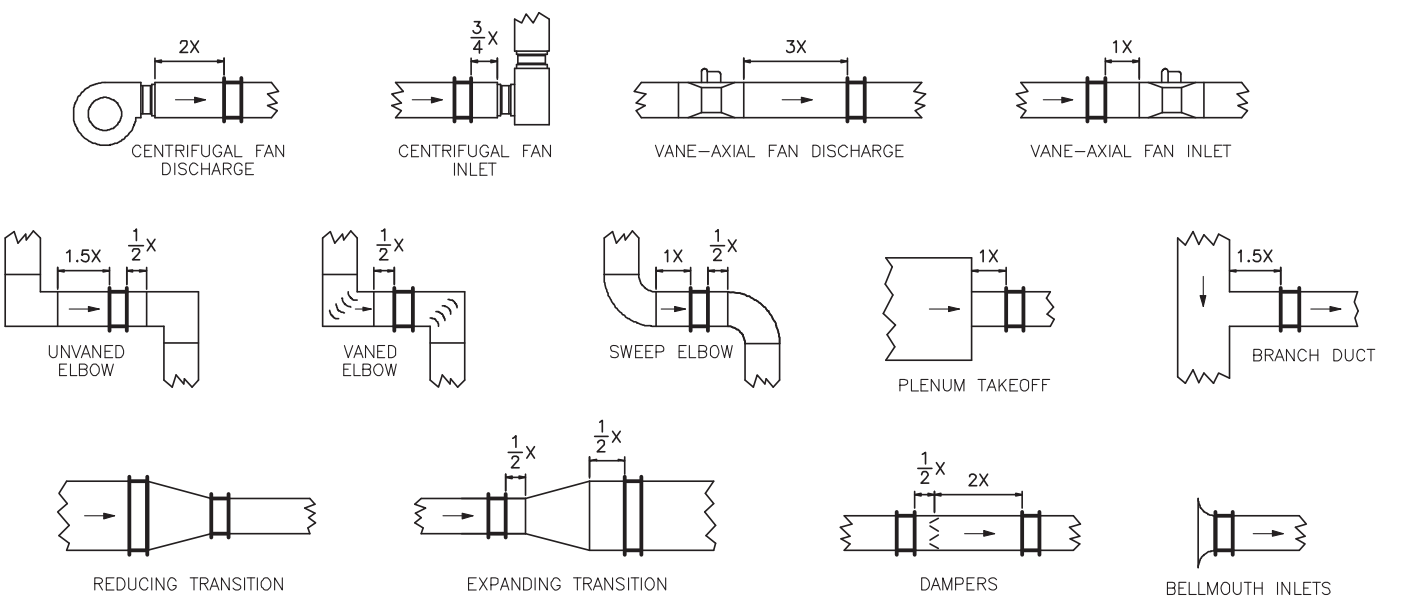
INSTALLATION CONSIDERATIONS. Installation factors to be considered when applying the ELECTRA-flo are as follows:

Turbulent Airflow. The aerodynamic design of the ELECTRA-flo measurement aperture will permit accurate flow measurement in the presence of moderate air turbulence. The distances from air turbulence producing fittings, transitions, etc., shown below are required to assure accurate airflow measurement.

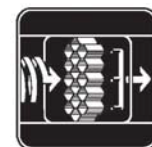
Stratified Airflow. The ELECTRA-flo should be mounted so that the probe crosses any stratified airflow - not parallel to the flow. This mounting arrangement will permit the probe to sense the wide range of velocities present in stratified airflow.

Airborne Contaminants. The levels of air filtration and cleanliness associated with commercial HVAC systems are satisfactory for the ELECTRA-flo. Applications containing airborne contaminants or condensing moisture may impair measurement accuracy and functionality.

Minimum Requirements. The ELECTRA-flo **locations shown below are the minimum** clearance required from air turbulence producing sources. Wherever possible, the ELECTRA-flo should be installed where greater runs of straight duct or clearances exist.



Rectangular Duct: $x = \frac{2(H \times W)}{H + W}$ Circular Duct: $x = \text{Duct Diameter}$



AIR MONITOR CORPORATION