

High Rise Energy Saving Damper – Model HRES

Features – HRES is designed for maximum energy efficiency and ease of installation. Compact design that can be adjusted for job specific CFM. Actuator is accessible from the front of the unit. It is installed behind the grille and drywall 1/2", 5/8", 3/4" and it is ideal for new construction or existing retrofits.

STANDARD CONSTRUCTION

FRAME

4-5/16" (110) deep, 20 gauge (1.0) galvanized steel.

BLADE

Single blade, 20 gauge (1.0) galvanized steel

MOUNTING FLANGE

For 5/8" (16) thick drywall (drywall by others)

BLADE & JAMB SEALS

Neoprene seals & stainless steel jamb seals

BLADE AXLES & BEARINGS

AXLES – 5/16" (8) round mechanically fastened to blade

BEARINGS – Bronze oil impregnated

LINKAGE

Plated steel concealed in jamb

MAXIMUM SIZE

16" W x 12" H (406 x 305) OD.

MINIMUM SIZE

8" W x 6" H (203 x 152) OD.

UNDERSIZED

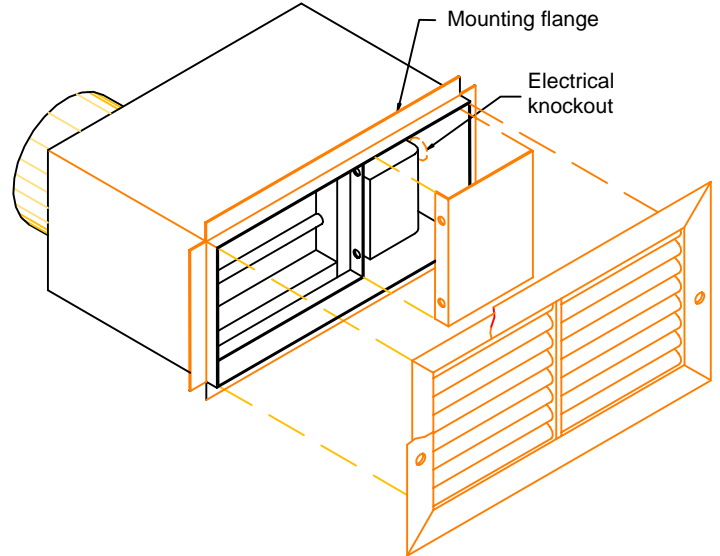
1/4" (6) under ordered size unless specified Exact or Actual

FINISH

Galvanized

ACTUATOR

UL listed, Electric 24V – 120V



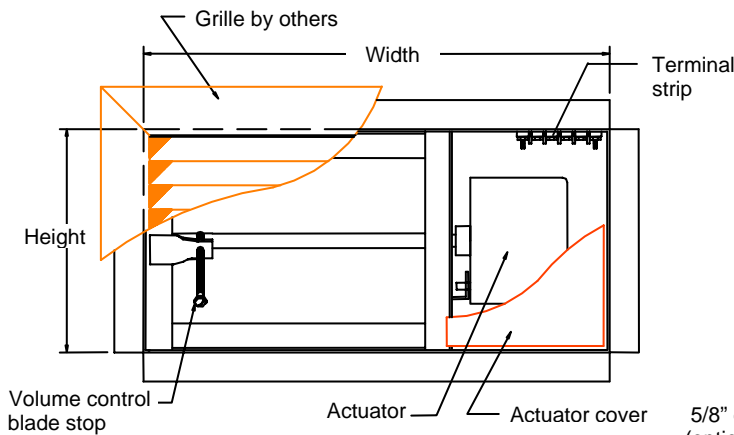
ISOMETRIC VIEW

OPTIONAL CONSTRUCTION

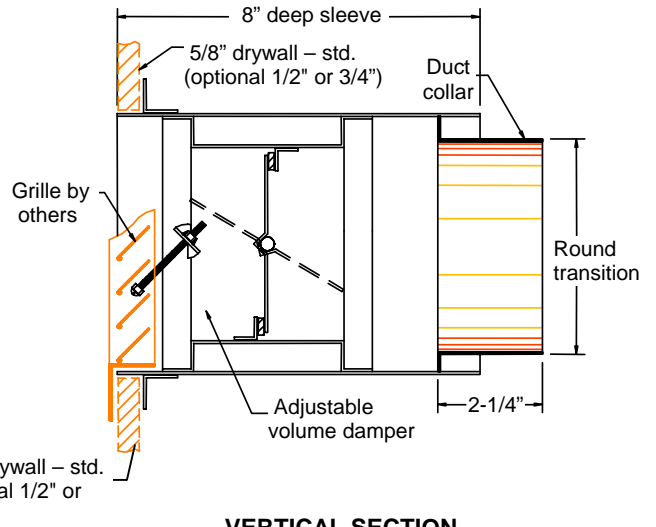
SPECIFIED MATERIAL – Heavier gauge galvanized steel, aluminum or stainless steel

DUCTWORK CONNECTION – Transitions from 4" (102) to 8" (203) diameter.

MOUNTING FLANGE – Available for 1/2" or 3/4" thick drywall.



FRONT ELEVATION



VERTICAL SECTION

DATE		ARCHITECT / ENGINEER		CUSTOMER	
PROJECT					
ITEM	QTY	W	H	TAG	



DEPENDABLE PRODUCTS SINCE 1955

SAFE-AIR / DOWCO

Engineering and General Offices

1855 South 54th Avenue / Cicero, Illinois 60804

Phone: 708-652-9100 FAX: 708-652-9158